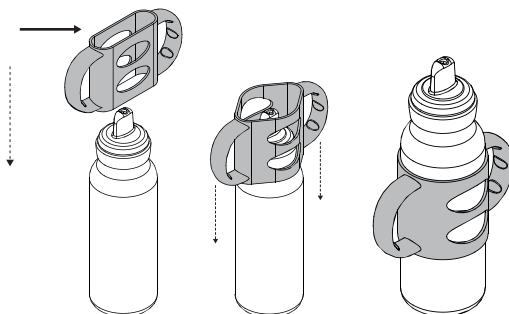


# Dr Brown's

natural flow®

## Silicone Handles

To apply handles



- Clean thoroughly before first use
- Place bottle upright on a firm surface.
- Start the handles at the top of the vessel and apply downward pressure to both handles at the same time.
- Adjust the handles until they are at the desired height.

**Dishwasher safe (top rack only). Safe for use in electric sterilizer, microwave sterilizer or boiling water.**

### For removal

Adding water or soapy water will make handles easier to slide.

### For your child's safety and health

#### WARNING!

Always use this product with adult supervision. Never use feeding nipples/teats as a pacifier/soother. Continuous and prolonged sucking of fluids will cause tooth decay. Always check food temperature before feeding. Always check the nipples/teats for signs of wear and replace when damaged. Do not use a microwave oven to heat the bottle because microwave ovens can create hotspots in milk/formula or bottle components. The components of this bottle are not toys and should not be given to children to play with or suck on. Do not leave the product in direct sunlight or heat or leave in disinfectant (sterilizing solution) for longer than recommended, as this may weaken the teat. Change nipple/teats after approximately 6 weeks of use. When used and sterilized intensively, nipple/teats may deteriorate after 6 weeks. Do not allow a child to walk or run while using this bottle.