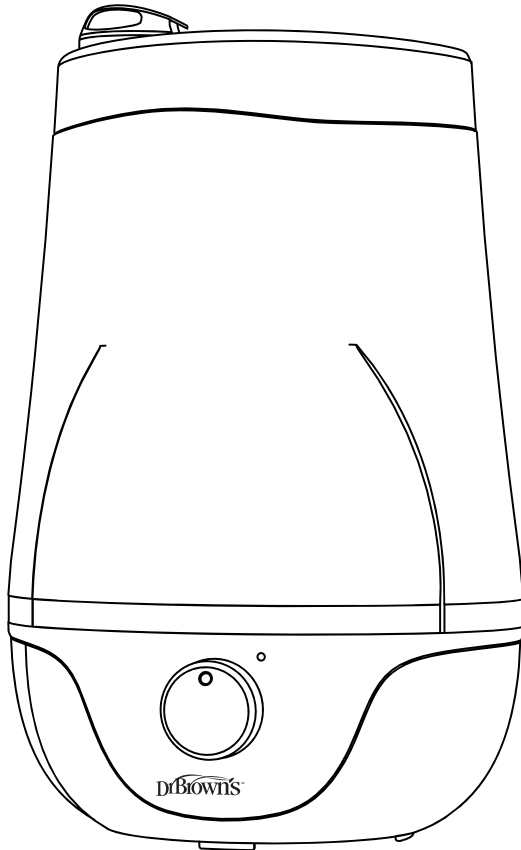


DrBrown's™



Ultrasonic Cool Mist Humidifier

Model Number: AN003

**Humidificateur
à vapeur froide**

Numéro de modèle : AN003

**Humidificador
de vapor frío**

Número de modelo: AN003

READ AND SAVE THESE INSTRUCTIONS

Package Contents:

Cool Mist Humidifier
3X Essential Oil Wicks
Quick Reference Guide

Specifications:

Nominal voltage: 120VAC/60Hz
Output: 250ml/h Max
Power: 26W
Water tank capacity: 1gal (3.8L)

WARNING: Read the ENTIRE instruction manual to become familiar with the features of the humidifier before operating. Failure to operate the humidifier correctly can result in damage to the humidifier, risk of electric shock, fire or serious personal injury. Do not attempt disassembly or use with incompatible components. This manual contains instructions for safety, operation and maintenance. It is essential to read and follow all the instructions and warnings in the manual, prior setup or use, in order to operate correctly and avoid damage or serious injury.

IMPORTANT SAFETY INSTRUCTIONS

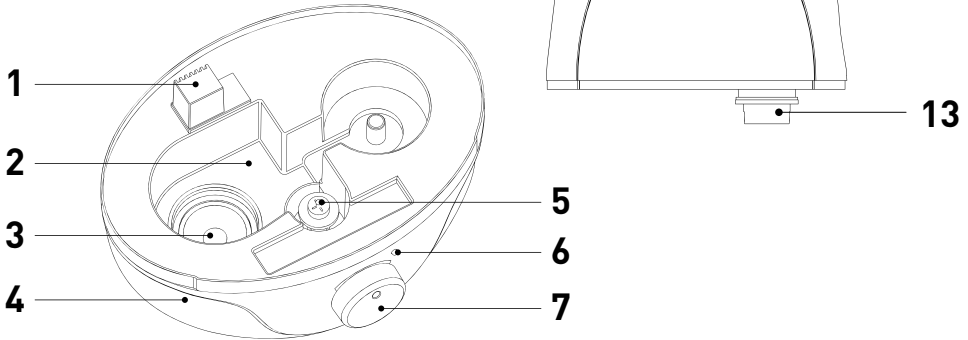
READ AND SAVE THESE IMPORTANT SAFETY INSTRUCTIONS BEFORE USING THIS APPLIANCE

WHEN USING ELECTRICAL APPLIANCES, PRECAUTIONS SHOULD ALWAYS BE FOLLOWED TO REDUCE THE RISK OF FIRE, ELECTRICAL SHOCK AND INJURY TO PERSONS, INCLUDING THE FOLLOWING:

- The humidifier should always be placed on a firm, flat, waterproof surface at least four feet away from bedside, five inches from the wall, and away from sunlight. Keep away from computers or sensitive electronic equipment.
- **KEEP OUT OF REACH OF CHILDREN. THIS HUMIDIFIER IS NOT A TOY!** Do not let your child play with this humidifier. Serious injury and electrocution might be possible. This humidifier must be operated by an adult only. Children should be supervised to ensure that they do not play with this humidifier.
- Be sure the appliance is in a stable position and the power cord is away from heated surfaces and out of the way to prevent the humidifier from being tipped over.
- Before using the humidifier, extend the cord and inspect for any signs of damage. **DO NOT** use the unit if the cord has been damaged.
- The humidifier has a polarized plug (one blade is wider than the other) as a safety feature. This plug will fit into a polarized outlet only one way. If the plug does not fit fully into the outlet, reverse the plug. If it still does not fit, contact a qualified electrician. **DO NOT** attempt to defeat this safety feature.
- To avoid fire or shock hazard, plug the appliance directly into a 120V AC electrical outlet.
- In the event of a malfunction, unplug the humidifier and cease use.
- Do not use the humidifier for any other purposes than its intended use. Any other use is to be deemed as inappropriate and hazardous.
- Caution: To avoid the risk of fire, shock or personal injury, do not use an extension cord.
- For household use only. Do not use outdoors.
- The humidifier should always be unplugged and emptied when not in operation or while being cleaned.
- Shut off and unplug humidifier before moving.
- Do not move or tilt humidifier while it is in operation.
- Plug and unplug humidifier with dry hands. **NEVER** pull by cord.
- Do not operate the humidifier without water. Turn off and unplug humidifier when tank is empty.
- Do not add any medications or essential oils into the nozzle, water reservoir or water tank.

Parts of The Cool Mist Humidifier

1. Air Outlet
2. Water Reservoir
3. Transducer
4. Main Housing
5. Water Level Sensor
6. Power Indicator/Low Water Level
7. Output Controller
8. Mist Outlet
9. Essential Oil Wick
10. Essential Oil Reservoir
11. Tank Carry Handle
12. Water Tank
13. Tank Sealing Cap/Valve

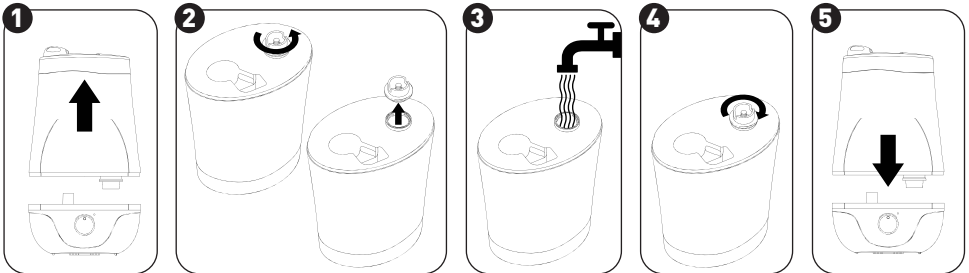


OPERATING INSTRUCTIONS

Always UNPLUG the humidifier before filling.

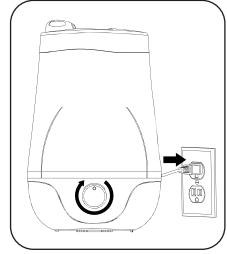
Fill the water tank

1. Remove the tank from the base of the humidifier. Turn the water tank upside down.
2. Remove the tank sealing cap/valve by unscrewing counter-clockwise.
3. Fill the tank with clean, cool, tap water or distilled water.
4. Replace the tank cap/valve by screwing clockwise tightly.
5. Replace the tank in the base of the humidifier.
6. Within a few seconds the base of the humidifier will fill up with water and be ready to operate.



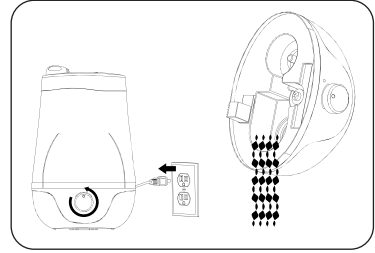
USING YOUR HUMIDIFIER

1. Connect the power cable to an available power outlet. The indicator light will illuminate.
2. Turn the mist level control in a clockwise to the desired output to activate the humidifier.
3. Aim the mist outlet in the desired direction.
4. To avoid moisture damage to your belongings, ensure that the mist outlet is not directed towards walls, plugs, or furniture.



EMPTYING YOUR HUMIDIFIER

1. Turn off the humidifier, turn the switch to the **Off** position and unplug the Humidifier. The indicator light should not be illuminated.
2. Remove the water tank from the base.
3. Remove the tank sealing cap/valve by unscrewing counter-clockwise.
4. Empty any remaining water from the tank and base, then wipe any remaining water with a dry cloth or towel.



USING THE ESSENTIAL OILS FRAGRANCE FEATURE

1. Remove the mist nozzle from the humidifier.
 2. Pull out the essential oil wick retainer from the mist outlet path.
 3. Insert the wick into the retainer.
 4. Place 2-4 drops of essential oil or aroma oil into the wick. (These oils are available commercially).
- Note: Do not fill the wick in the humidifier as spilt oils can hinder the operation of the humidifier.**
5. Insert the retainer into the humidifier mist outlet path.
 6. Replace the mist nozzle onto the humidifier.
 7. To start operation follow the normal operation instructions above. If essential oils or aroma oils are not added, your humidifier will function as a regular humidifier.

TROUBLESHOOTING

If the humidifier is not operating check that:

1. The power cable is connected to the power outlet.
2. The mist level control switch is turned to an On position.
3. The water tank has been properly assembled onto the humidifier base.
4. There is sufficient water in the tank.

MAINTENANCE - Care and Cleaning

Daily Maintenance

1. Turn off, unplug from outlet and empty water from tank and base daily.
2. Clean with a soft cloth or sponge. Allow the water tank to dry naturally upside down (water inlet pointed up). Never immerse the base in water or any other liquid.
3. Do not use detergent to clean any water-containing parts of the humidifier. Detergents and the film they leave behind can affect the output of the humidifier. Do not use abrasive cleansers or brushes.
4. Do not leave water in the water tank or base when unit is not in use as it may result in the build up of mineral deposits and bacteria that can inhibit the output efficiency of the humidifier. If water remains in the water tank for more than a day or two, bacterial growth is possible.

Weekly Maintenance

1. Turn off, unplug from outlet and empty water from tank and base.
2. Thoroughly clean humidifier every week by filling the water tank halfway with warm water and add 2 Tablespoons of white vinegar. Shake vigorously and let sit for 30 minutes. Empty water tank and rinse with plain water.
3. Fill base with warm water, add 1 tablespoon of white vinegar and let sit for 30 minutes. Empty base and rinse with plain water.
4. Never immerse the base in water or any other liquid.

End of Season Maintenance

1. Follow above weekly cleaning procedure at the end of the humidification season, or when the humidifier will not be used for several days, being sure to dry all parts, including the inside of the water tank. Do not store with water inside.
2. Make sure all parts dry completely.
3. Store humidifier in a cool, dry place.

WARRANTY

This Ultrasonic Cool Mist Humidifier is warranted against defective material or workmanship for a period of one year from the date of purchase. Any defective part will be repaired or replaced at no charge if it has not been tampered with and the appliance has been used according to these printed instructions. Warranty does not cover the essential oil wicks, performance of the essential oil wicks or fragrances. This Warranty gives you specific legal rights as well as other rights which vary from state to state.

If you experience unsatisfactory operation or have any questions/comments, call Handi-Craft's Customer Service at 1-800-778-9001, or write to Handi-Craft Company, Customer Service, 4433 Fyler Avenue, St. Louis, Missouri 63116 USA. Our Customer Service Representative will advise you how to correct the problem yourself or will ask you to return the product for repair or replacement.